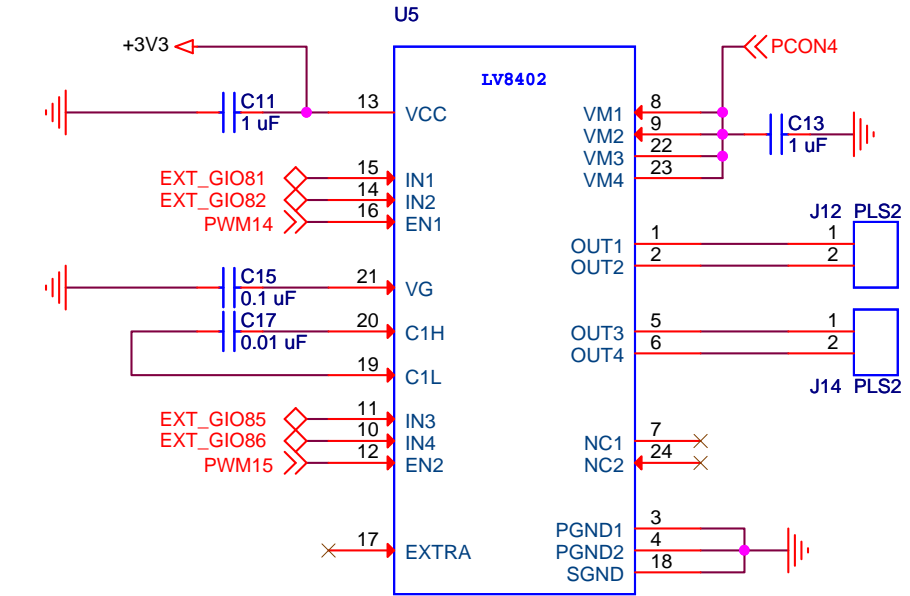
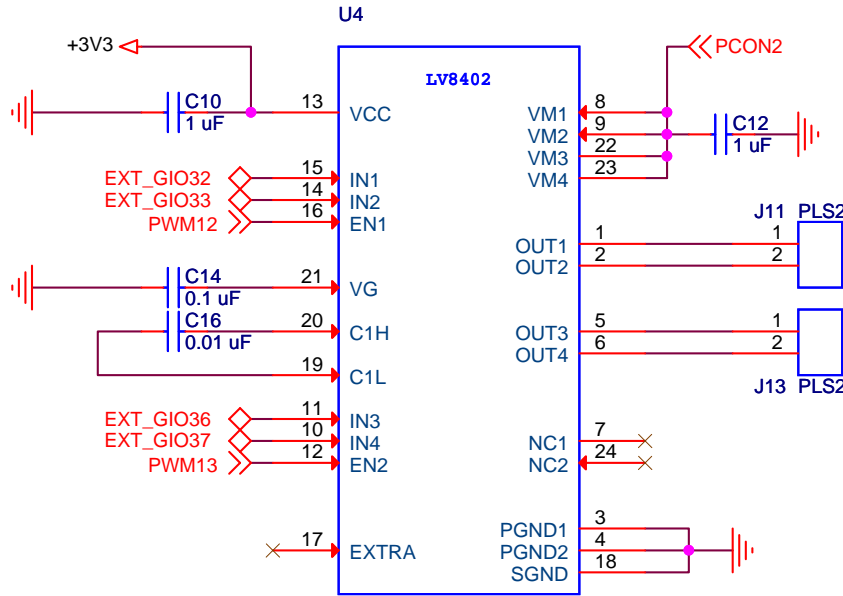
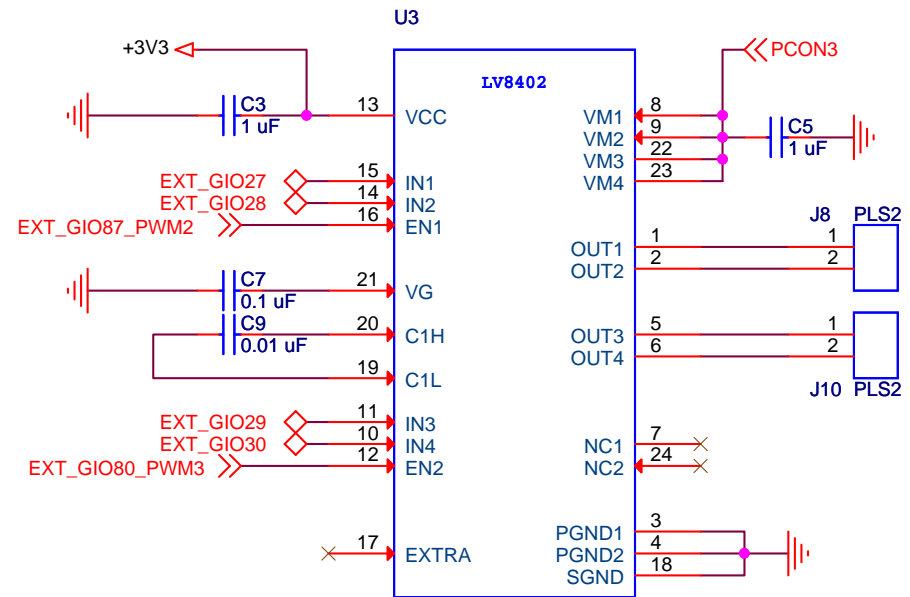
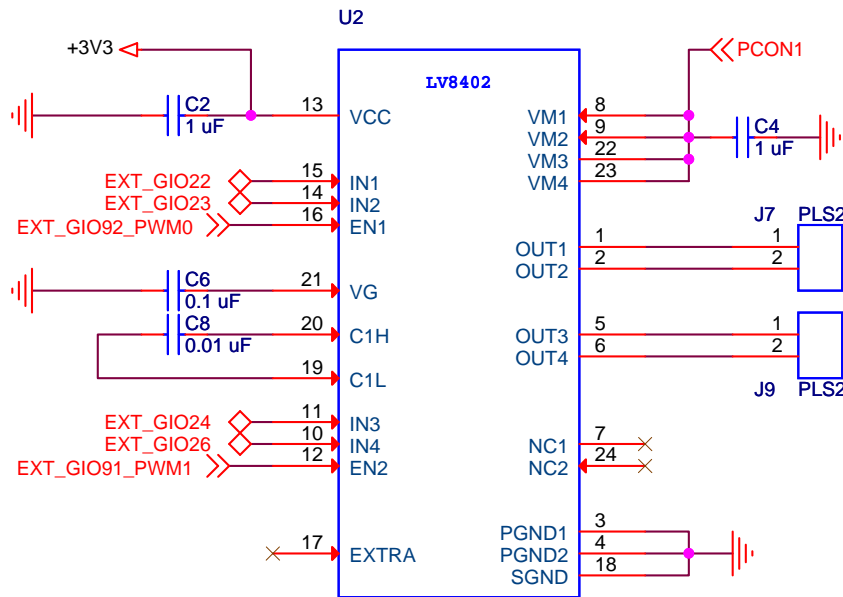
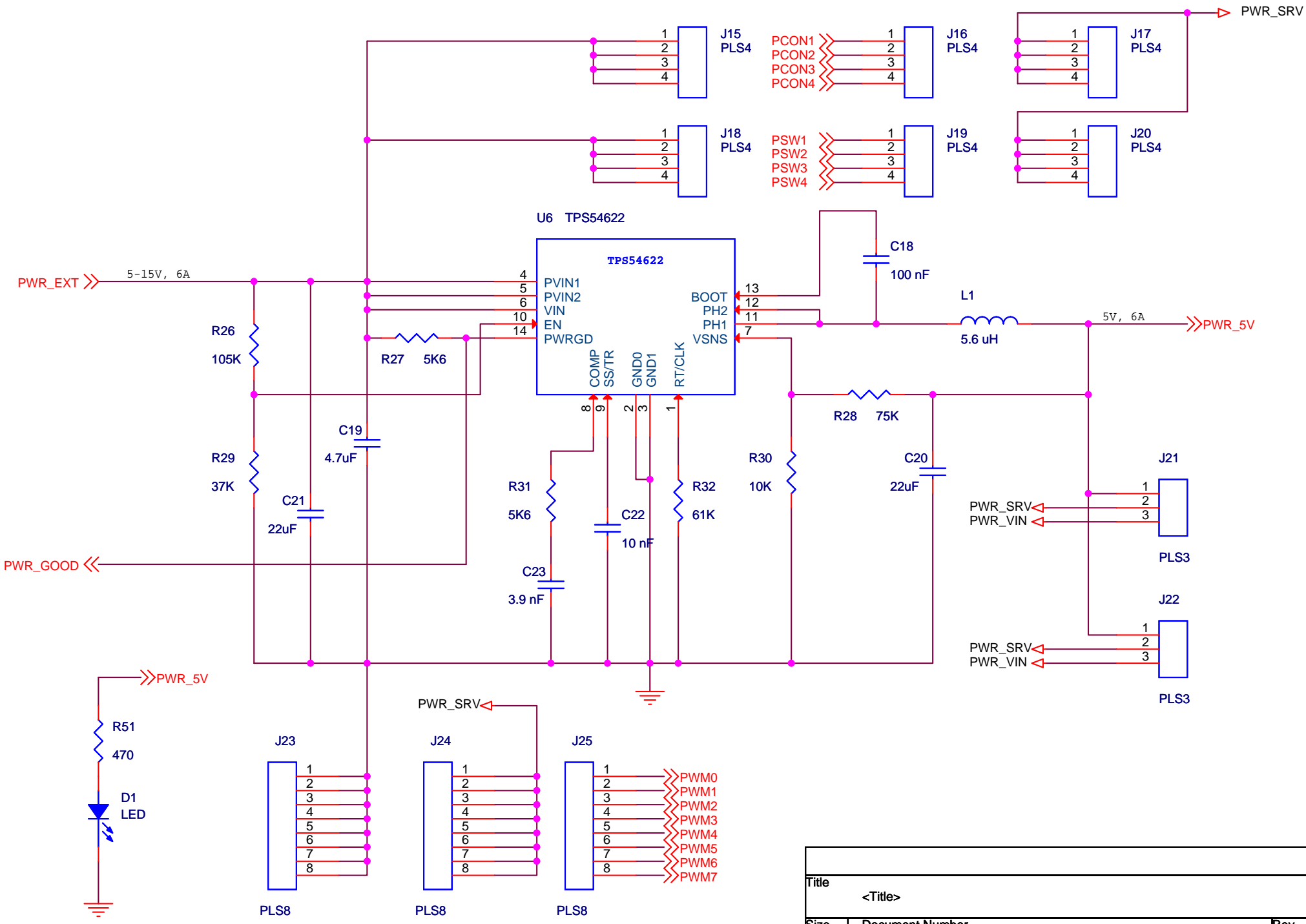


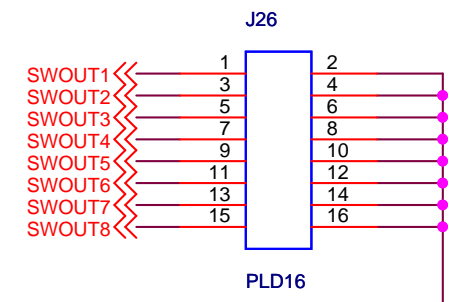
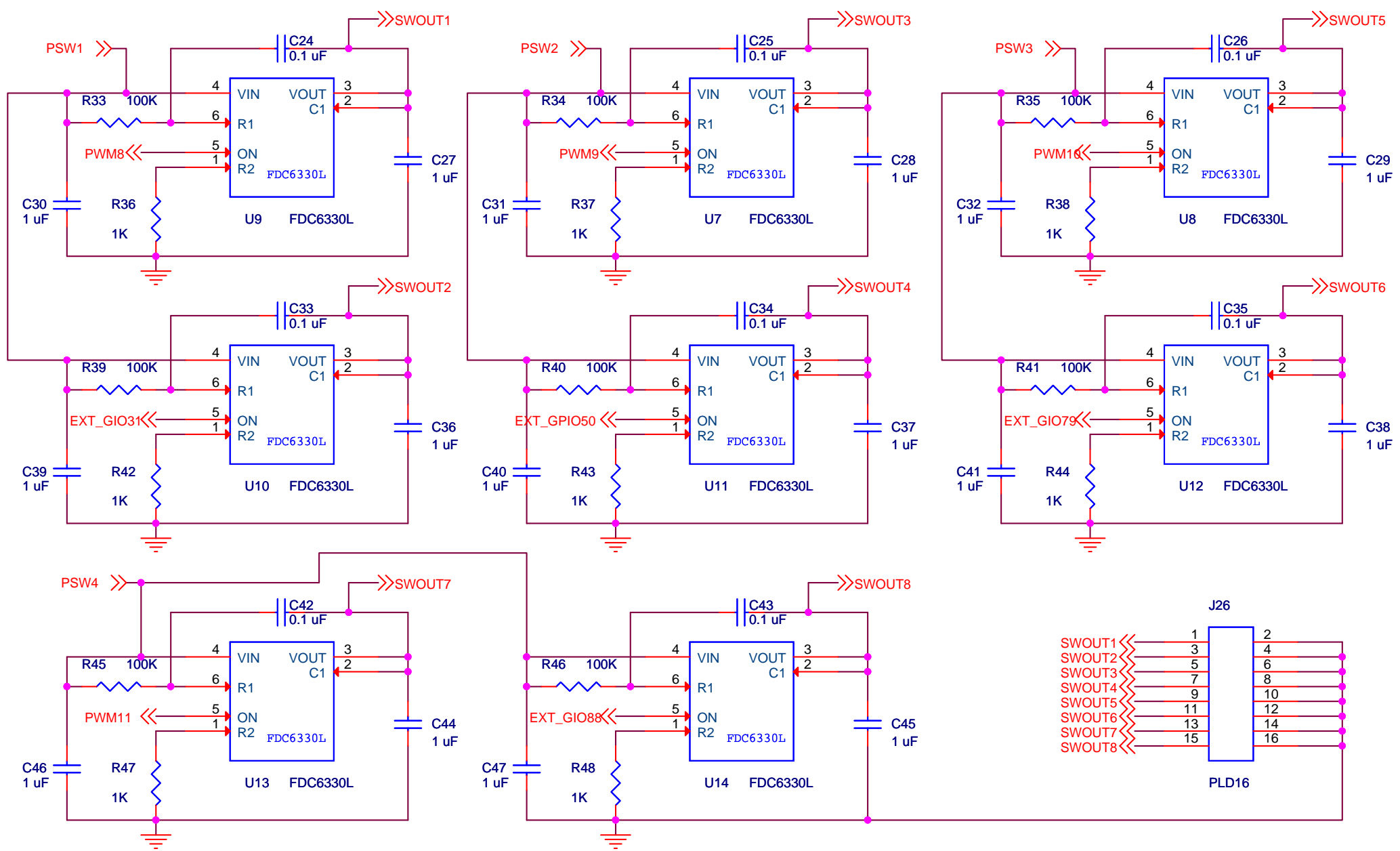
Title		
<Title>		
Size	Document Number	Rev
A	<Doc>	<RevCode>
Date:	Wednesday, October 30, 2013	Sheet 1 of 4



Title		
<Title>		
Size	Document Number	Rev
A	<Doc>	<RevCode>
Date:	Tuesday, October 29, 2013	Sheet 2 of 4



Title		
<Title>		
Size	Document Number	Rev
A	<Doc>	<RevCode>
Date:	Wednesday, October 30, 2013	Sheet 3 of 4



Title <Title>		
Size A	Document Number <Doc>	Rev <RevCode>
Date:	Tuesday, October 29, 2013	Sheet 4 of 4